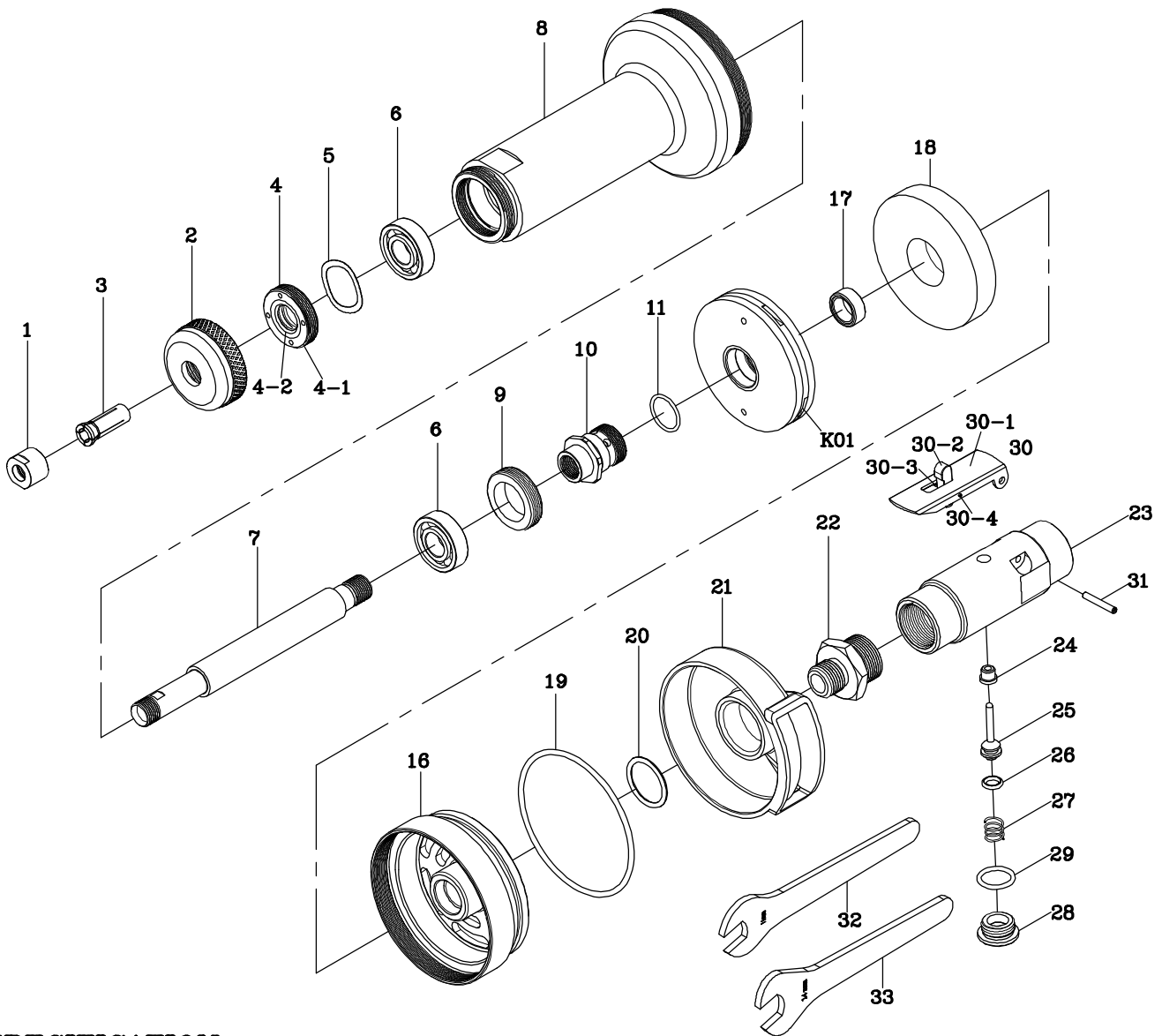


# PG-60075-25 PG-14075-25 TURBINE DIE GRINDER 25000RPM



## SPECIFICATION:

FREE SPEED	25,000 RPM	HOSE SIZE	1/2" ID
RECOM.AIR PRESSURE	90 PSI	LENGTH	11.62 IN
AV.AIR CONSUMPTION	16 SCFM	WEIGHT	2.25 LB
AIR INLET	3/8"-18NPT (19PT)	COLLET SIZE	1/4" (6mm)

## PARTS LIST:

NO.	PART NO.	NAME OF PARTS	Q'TY
01	PG-14045001	COLLET CAP	1
02	PG-14075002	COLLET GUARD	1
#03	PG-14045003	1/4" COLLET	1
	PG-60045003	6.0 mm COLLET	1
04	PG-14075004	F.BEARING LOCK RING ASS'Y	
04-1	PG-14075004-1	F.BEARING LOCK RING	1
04-2	PG-14045002-2	DEBRIS ELIMINATOR	1
05	BWW-6001	WAVE WASHER	1
06	BB-60012	BALL BEARING	2
07	PG-14A75007	DRIVE SHAFT	1
08	PG-14075008	HOUSING	1
09	PG-14075009	R.BEARING LOCK RING	1
10	PG-14075010	DRIVE SHAFT ADAPTER	1
11	PG-14075011	O RING	1
K01	K1-14075-25	TURBINE KIT	1
16	PG-14075016	COVER	1
17	PG-14075017	BUSHING	1
18	PG-14075018	MUFFLER	1
19	PG-14075019	O RING	1

NO.	PART NO.	NAME OF PARTS	Q'TY
20	ORP-0210	O RING	1
21	PG-14075021	EXHAUST DEFLECTOR	1
22	PG-14075022	HANDLE ADAPTER	1
23	PG-14075023	THROTTLE HANDLE	1
24	PG-14075024	VALVE BUSHING	1
25	PG-14075025	VALVE STEM	1
26	ORP-0060	O RING	1
27	PG-14075027	VALVE SPRING	1
28	PG-14075028	THROTTLE VALVE PLUG	1
29	PG-14075029	O RING	1
30	PG-14075030	THROTTLE LEVER ASS'Y	
30-1	PG-14075030-1	THROTTLE LEVER	1
30-2	PG-14075030-2	THROTTLE LEVER LOCK	1
30-3	PG-14075030-3	TORSION SPRING	1
30-4	SP-15200	SPRING PIN	1
31	SP-30200	SPRING PIN	1
32	PG-14045026	11mm WRENCH	1
33	PG-14045027	14mm WRENCH	1

030512 PG-14075-25 (1/4" collect) PG-60075-25 (6mm collect)

# Optional Parts