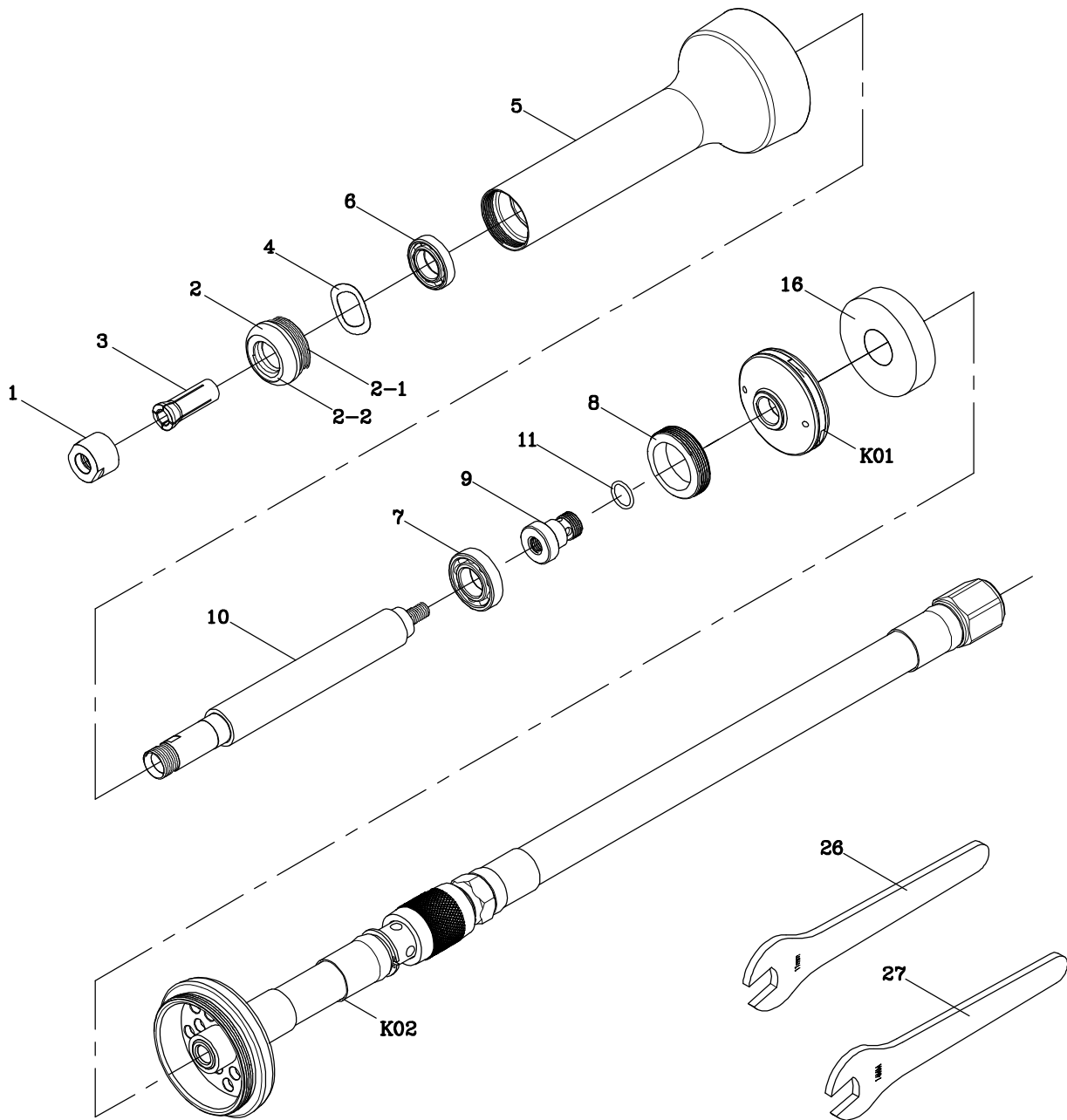


PG-60045-40
PG-14045-40 TURBINE DIE GRINDER 40000RPM



SPECIFICATION:

FREE SPEED	40,000 RPM	HOSE SIZE	3/8" ID
RECOM.AIR PRESSURE	90 PSI	LENGTH	7.7 IN
AV.AIR CONSUMPTION	12 SCFM	WEIGHT	0.87 LB
AIR INLET	1/4"-18NPT (19PT)	COLLET SIZE	1/4" (6mm)

PARTS LIST:

NO.	PART NO.	NAME OF PARTS	Q'TY
01	PG-14045001	COLLET CAP	1
02	PG-14045002	COLLET GUARD ASS'Y	1
02-1	PG-14045002-1	COLLET GUARD	1
02-2	PG-14045002-2	DEBRIS ELIMINATOR	1
#03	PG-14045003	1/4" COLLET	1
	PG-60045003	6.0 mm COLLET	1
04	BWW-0608	WAVE WASHER	1
05	PG-14045005	HOUSING	1
06	BB-68012	BALL BEARING	1
07	BB-69012	BALL BEARING	1

NO.	PART NO.	NAME OF PARTS	Q'TY
08	PG-14075009	REAR BEARING LOCK RING	1
09	PG-14045009	DRIVE SHAFT ADAPTER	1
10	PG-14A45010	DRIVE SHAFT	1
11	OS-60026	O-RING	1
K01	K1-14045-40	TURBINE KIT	1
16	PG-18045016	MUFFLER	1
K02	K2-18045-65	AIR INLET HOSE KIT	1
26	PG-14045026	11mm WRENCH	1
27	PG-14045027	14mm WRENCH	1

Optional Parts

050812 PG-14045-40 (1/4" collect) PG-60045-40 (6mm collect)