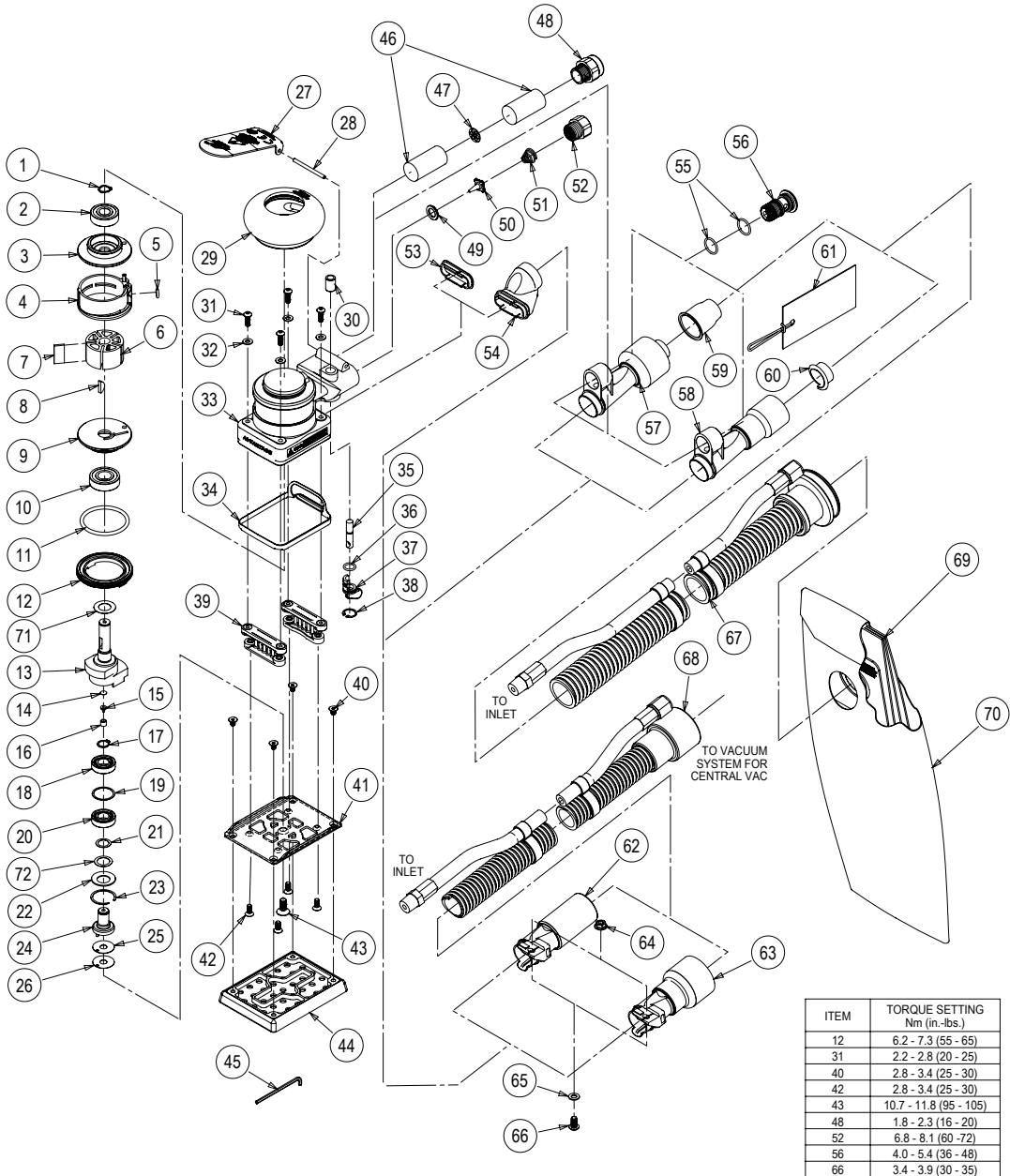


Parts Page



| ITEM | TORQUE SETTING Nm (in.-lbs.) |
|------|---------------------------------|
| 12 | 6.2 - 7.3 (55 - 65) |
| 31 | 2.2 - 2.8 (20 - 25) |
| 40 | 2.8 - 3.4 (25 - 30) |
| 42 | 2.8 - 3.4 (25 - 30) |
| 43 | 10.7 - 11.8 (95 - 105) |
| 48 | 1.8 - 2.3 (16 - 20) |
| 52 | 6.8 - 8.1 (60 - 72) |
| 56 | 4.0 - 5.4 (36 - 48) |
| 66 | 3.4 - 3.9 (30 - 35) |

Parts List

| Item | Part No. | Description | Qty. |
|------|----------|--|----------|
| 1 | AVA0040 | RETAINING RING | 1 |
| 2 | AVA0021 | BEARING | 1 |
| 3 | AVB0017 | REAR ENDPLATE | 1 |
| 4 | AVA0005 | CYLINDER ASSEMBLY | 1 |
| 5 | AVA0042 | O-RING | 1 |
| 6 | AVB0005 | ROTOR | 1 |
| 7 | AVA0010 | VANE | 5 |
| 8 | AVA0041 | KEY | 1 |
| 9 | AVB0016 | FRONT ENDPLATE | 1 |
| 10 | AVA0019 | BEARING | 1 |
| 11 | AVA0045 | O-RING | 1 |
| 12 | AVA0001 | LOCK RING | 1 |
| 13 | AVB0102 | SHAFT BALANCER | 1 |
| 14 | AVA0122 | FILTER | 1 |
| 15 | AVA0121 | VALVE | 1 |
| 16 | AVA0120 | RETAINER | 1 |
| 17 | AVA0107 | RETAINING RING | 1 |
| 18 | AVA0162 | BEARING | 1 |
| 19 | AVA0196 | SHIM | 1 |
| 20 | AVA0161 | BEARING | 1 |
| 21 | AVA0108 | SHIM | 1 |
| 22 | AVA0126 | WASHER | 1 |
| 23 | AVA0177 | RETAINING RING | 1 |
| 24 | AVA0163 | SPINDLE ASSEMBLY | 1 |
| 25 | AVA0080 | SPACER | 1 |
| 26 | AVA0079 | SPACER | Optional |
| 27 | AVA0175 | LEVER | 1 |
| 28 | AVA0031 | SPRING PIN | 1 |
| 29 | AVB0007 | 2 ½ in. (65 mm) GRIP | Optional |
| | AVB0008 | 2 ¾ in. (69 mm) GRIP | 1 |
| | AVB0009 | 3 in. (75 mm) GRIP | Optional |
| 30 | AVA0015 | VALVE SLEEVE | 1 |
| 31 | AVA0768 | SCREW | 4 |
| 32 | AVA0076 | WASHER | 4 |
| 33 | AVA1748 | HOUSING | 1 |
| 34 | AVC0162 | SHROUD SEAL | 1 |
| 35 | AVA0008 | VALVE STEM ASSEMBLY | 1 |
| 36 | AVA0043 | O-RING | 1 |
| 37 | AVB0014 | SPEED CONTROL | 1 |
| 38 | AVA0039 | RETAINING RING | 1 |
| 39 | AVC0018 | MINI PAD SUPPORT ASSEMBLY | 2 |
| 40 | AVA0766 | SCREW | 4 |
| 41 | AVB0101 | PAD BACKING | 1 |
| 42 | AVA0767 | SCREW | 4 |
| 43 | AVA0078 | SCREW | 1 |
| 44 | NA | SEE "AirVANTAGE™ BACKUP PADS" ON PAGE 5 (type/size determined by model) | 1 |
| 45 | AVA0864 | 2.5mm HEX WRENCH | 1 |
| 46 | AVA0032 | MUFFLER | 2 |
| 47 | AVA0038 | PLATE | 1 |
| 48 | AVA0166 | MUFFLER HOUSING | 1 |
| 49 | AVA0009 | SEAT | 1 |
| 50 | AVA0007 | VALVE | 1 |
| 51 | AVA0014 | VALVE SPRING | 1 |
| 52 | AVA0013 | INLET BUSHING | 1 |
| 53 | AVB0069 | SNAP-IN VACUUM COVER PLATE | 1 |
| 54 | AVC0017 | SNAP-IN EXHAUST ADAPTER | 1 |
| 55 | AVA0044 | O-RING | 2 |
| 56 | AVA0722 | SGV RETAINER | 1 |
| 57 | AVA0410 | Ø 1 in. (28 mm) HOSE SuperVAC™ SGV SWIVEL EXHAUST ASSEMBLY | 1 |
| 58 | AVA0409 | Ø ¾ in. (19 mm) HOSE SuperVAC™ SGV SWIVEL EXHAUST ASSEMBLY | Optional |
| 59 | AVA0778 | 1 in. (28 mm) HOSE SEAL | 1 |
| 60 | AVA0854 | ¾ in. (28 mm) HOSE SEAL | Optional |
| | AVA0857 | ¾ in. (19 mm) HOSE SEAL TAG WITH INSTRUCTION | Optional |
| | AVA0933 | 1 in. (28 mm) HOSE SEAL TAG WITH INSTRUCTION | 1 |
| 62 | AVA0298 | Ø ¾ in. (19 mm) SuperVAC™ CV SWIVEL EXHAUST ASSEMBLY | Optional |
| 63 | AVA0092 | Ø 1 in. (28 mm) SuperVAC™ CV SWIVEL EXHAUST ASSEMBLY | 1 |
| 64 | AVA0048 | NUT | 1 |
| 65 | AVA0047 | WASHER | 1 |
| 66 | AVA0769 | SCREW | 1 |
| 67 | AVA0412 | Ø 1 in. (28 mm) VACUUM HOSE TO Ø 1 in. (28 mm) DOUBLE BAG FITTING AND AIRLINE ASSEMBLY | 1 |
| | AVA0411 | Ø ¾ in (19 mm) VACUUM HOSE TO Ø ¾ in (19 mm) DOUBLE BAG FITTING AND AIRLINE ASSEMBLY | Optional |
| | AVA0392 | Ø 1 in VAC HOSE TO Ø 1 in /28 mm x Ø 1 1/2 in. ADAPTER COUPLING AND AIRLINE ASSEMBLY | Optional |
| 68 | AVA0300 | Ø ¾ in VAC HOSE TO Ø ¾ in x Ø 1 in./28 mm ADAPTER COUPLING AND AIRLINE ASSEMBLY | Optional |
| 69 | AVA0470 | VACUUM BAG INSERT | 1 |
| 70 | AVA0468 | VACUUM BAG | 1 |
| 71 | AVA2541 | FRONT BEARING DUST SHIELD | 1 |
| 72 | AVA2543 | SPINDLE BEARING DUST SHIELD | 1 |